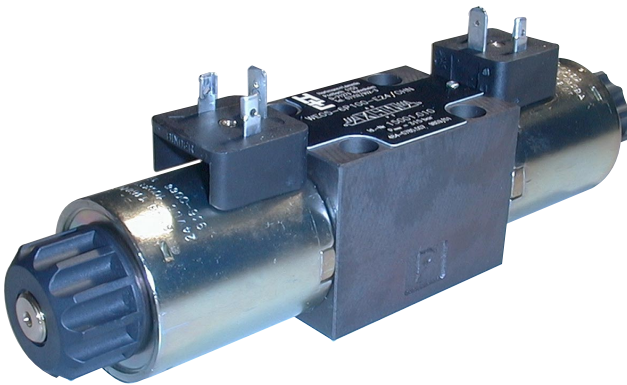


4/2, 4/3 Way Valve NG 6 ISO 4401

electrically operated, directly controlled



- Directly controlled piston valve
- High switching capacity
- Saving energy by low flow resistance
- Pressure sealed oil-immersed solenoids for direct and alternating current
- Easy service: Solenoid can be changed without leakage while the valve is under system pressure; no tools are required
- Solenoids can be rotated 3x90°, allowing alternative connector positions
- Port connection pattern according to ISO 4401

Specifications according to VDI 3267

General

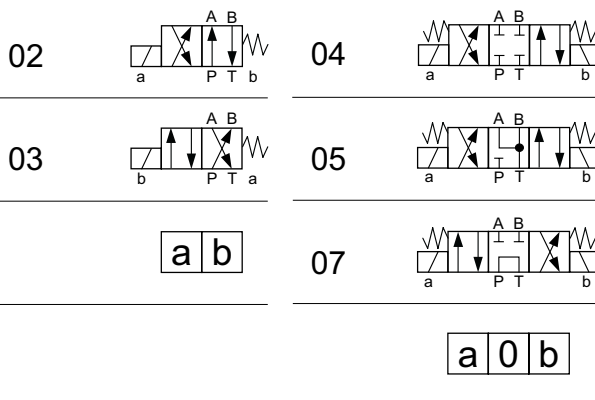
Flow path	see diagramms
Type of valve	piston valve
Mounting method	4x M5x45 DIN912
Connection of port	mounting plate
Mounting positions	mountable in any position
Ambient temperature	°C -5 to +50
Mass valve	kg 2,2
Mass mounting plate	kg 1,0

Hydraulic

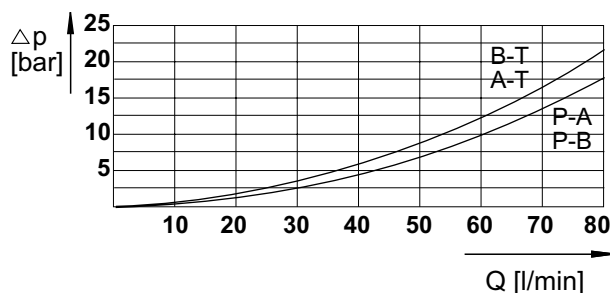
Operating pressure range	
Ports P, A, B	bar 315
Port T	bar 100
Hydraulic oil temperature	°C -25 to +70
Viscosity range	mm ² /s 20 to 400
Maximal rate of flow	l/min 80
Operation	electrical
	24V DC 230V, 50Hz AC
Switching time on	ms 40 40
Switching time off	ms 40 40
Power consumption P20	W 32
Making capacity P20	VA 39
Duty factor	% 100 100
Protection system DIN 40050	IP65 IP65

Options:

- Alternative voltages
- Alternative configurations
- Alternative connectors
- 8 watt variant: max. operating pressure 140 bar
max. rate of flow 40 l/min

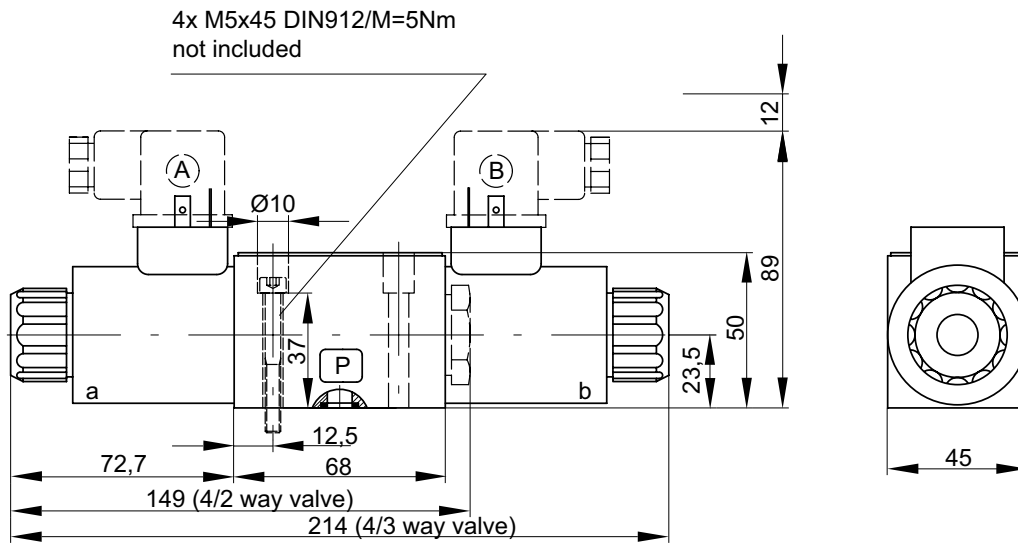


Characteristic curve
for hydraulic oil 35 mm²/s, 50°C



The specifications given herein are subject to alteration

Way Valve NG 6 ISO 4401



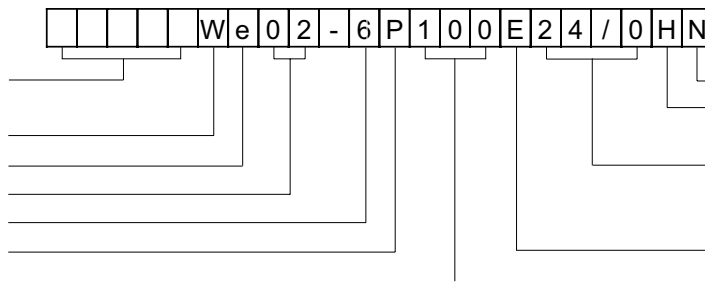
Fastening screws
not included
order number:
4 x Id.-Nr. 800-053

Plug not included,
order number:
Id.-Nr. 806-002

Electrical connector seal
not included,
order number:
Id.-Nr. 80162-004

Type Code

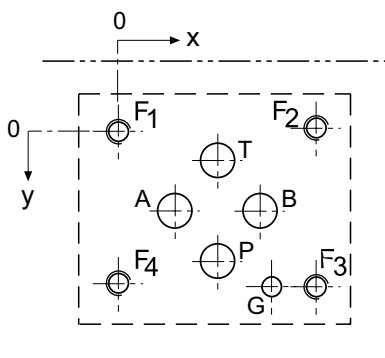
Id.-Nr. (specified
by the factory)
Directional control valve
Electrically controlled
Configuration number
Nominal size
Mounting
Design Code



Manual emergency operation
Electric interface
H= connector DIN 43650
Power supply / Voltage
024/0= 24V DC
220/5= 230V/50Hz
Solenoid type
E= single solenoid
D= double solenoid

Port connection pattern

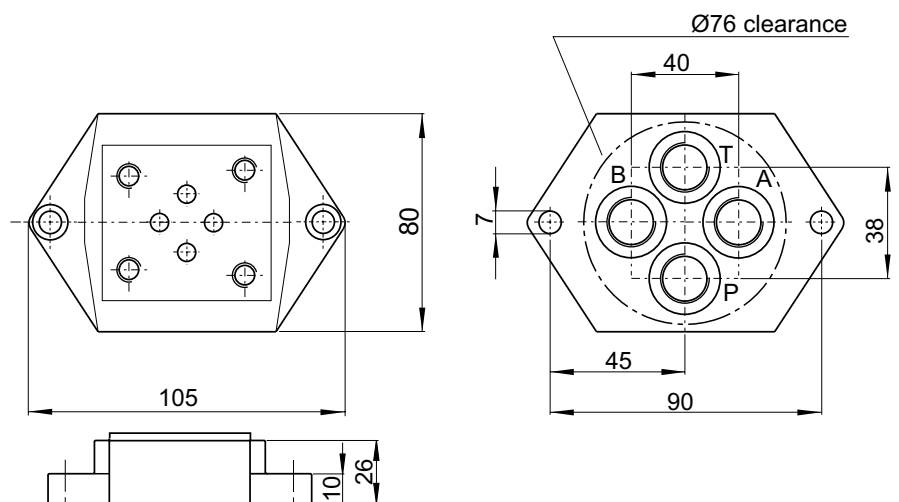
NG 6 ISO 4401
The figure shows the side of the mounting
plate to which the valve is fastened



Single-unit mounting plate

Order number:
PW6-G2-400
PW6-G3-400

R 1/4"
R 3/8"



Multiple-unit mounting plates can be supplied
on request

	P	A	T	B	F1	F2	F3	F4	G
Ømax	Ø7,5	Ø7,5	Ø7,5	Ø7,5	M5	M5	M5	M5	Ø4
x	21,5	12,7	21,5	30,2	0	40,5	40,5	0	33
y	25,9	15,5	5,1	15,5	0	-0,75	31,75	31	31,75

The specifications given herein are subject to alteration