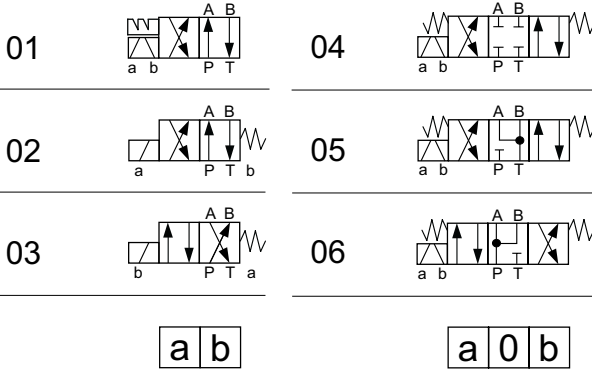


4/2, 4/3 Way Valve NG 4 ISO 4401

electrically operated, directly controlled,
vertical mounting



- Directly controlled piston valve
- Compact design
- Short switching time
- Low internal leakage
- Pressure sealed oil-immersed solenoids for direct and alternating current
- Easy service: Solenoid can be changed without leakage while the valve is under system pressure; no tools are required
- Solenoids can be rotated 3x90°, allowing alternative connector positions
- Only one connector, even with 4/3 way valves
- Port connection pattern according to ISO 4401

Specifications according to VDI 3267

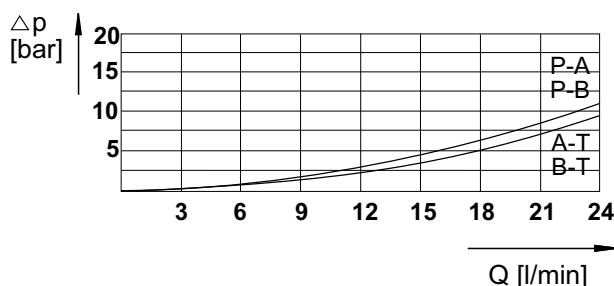
General

Flow path	see diagramms
Type of valve	piston valve
Mounting method	4x M5x40 DIN912
Connection of port	mounting plate
Mounting positions	mountable in any position
Ambient temperature °C	-5 to +50
Mass valve kg	0,85
Mass mounting plate kg	0,8

Hydraulic

Operating pressure range		
Ports P, A, B	bar	315
Port T	bar	150
Hydraulic oil temperature °C		-10 to +70
Viscosity range	mm ² /s	10 to 300
Maximal rate of flow	l/min	30
Operation		electrical
		24V DC 230V, 50Hz AC
Switching time on	ms	17 25
Switching time off	ms	17 25
Power consumption P20	W	20
Making capacity P20	VA	64
Duty factor	%	100 100
Protection system DIN 40050		IP64 IP64

Characteristic curve
for hydraulic oil 35 mm²/s, 50°C

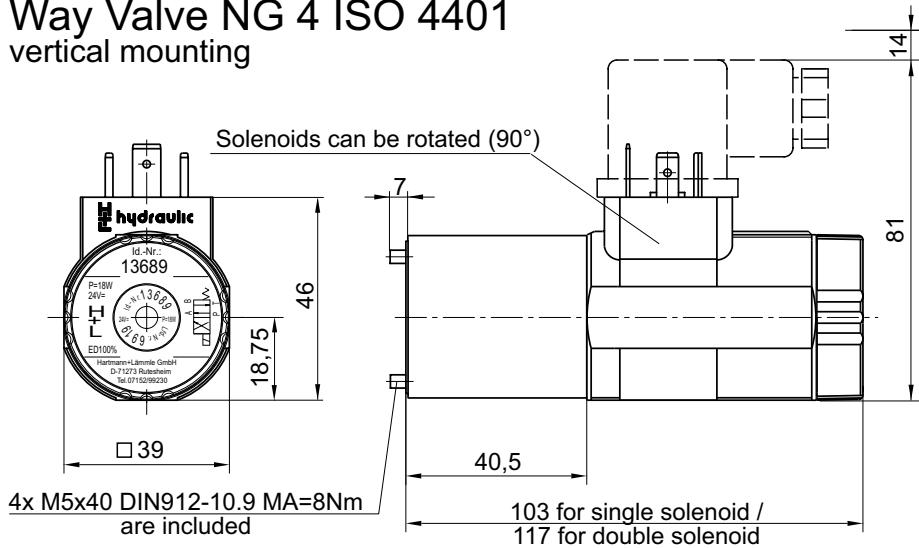


Options:

- Alternative voltages
- Alternative configurations
- Alternative connectors

The specifications given herein are subject to alteration

Way Valve NG 4 ISO 4401 vertical mounting



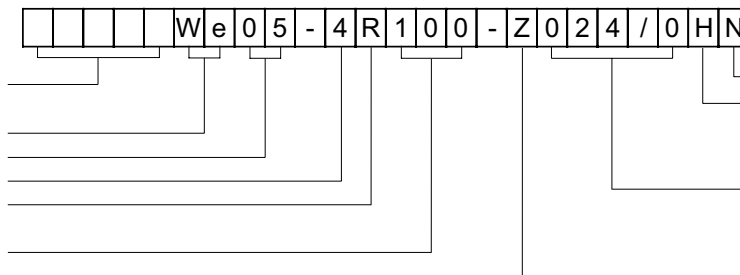
Fastening screws
are included
order number:
4 x Id.-Nr. 800-052

Plug not included,
order number:
Id.-Nr. 806-002 (4/2)
Id.-Nr. 806-003 (4/3)

electrical connector seal
not included,
order number:
Id.-Nr. 80162-004

Type Code

Id.-Nr. (specified
by the factory)
Directional control valve
Electrically controlled
Configuration number
Nominal size
Mounting
R= vertical
Design code
Solenoid type
R= single solenoid
Z= double solenoid



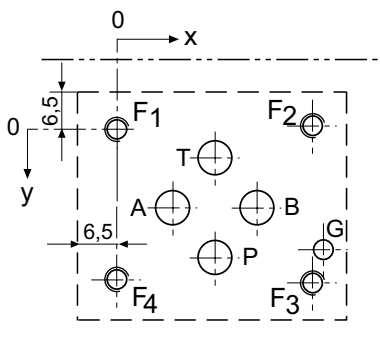
Manual emergency operation
Electric interface
H= connector DIN 43650
M= connector M12
Power supply / Voltage
024/0= 24V DC
220/5= 230V/50Hz

Electrical connection



Port connection pattern

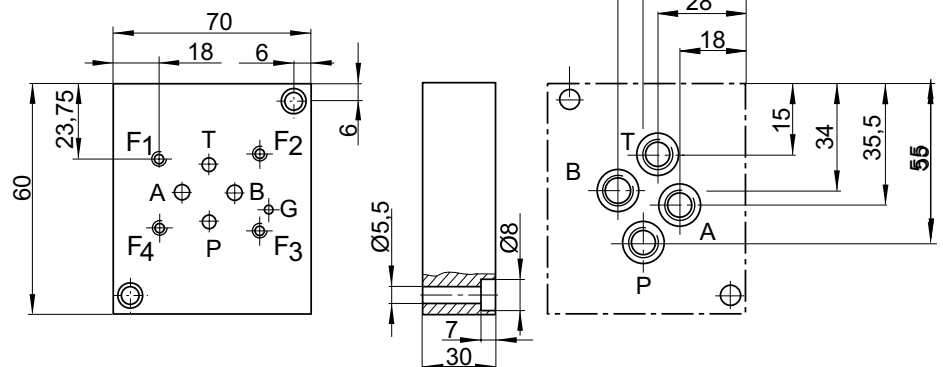
NG 4 ISO 4401
The figure shows the side of the mounting
plate to which the valve is fastened



Single-unit mounting plate

Order number:
PW4M-G1-400
PW4M-G2-400

R 1/8"
R 1/4"



	P	A	T	B	F1	F2	F3	F4	G
Ømax	Ø4,5	Ø4,5	Ø4,5	Ø4,5	M5	M5	M5	M5	Ø4
x	12	4,3	12	19,7	0	24	24	0	26,5
y	20,25	11,25	2,25	11,25	0	-0,75	23,25	22,5	17,75

Multiple-unit mounting plates can be supplied
on request

The specifications given herein are subject to alteration