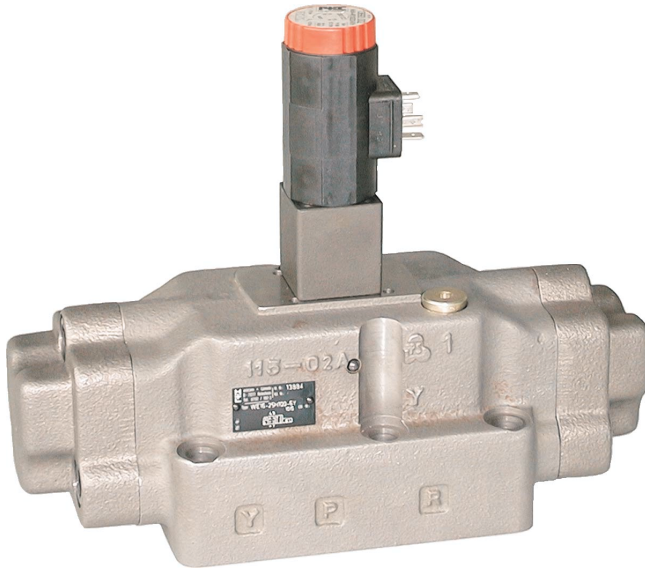


4/2, 4/3 Way Valve NG 25 ISO 4401

hydraulically operated, electrically controlled,
piloted, pilot NG 4 ISO 4401



- Piloted piston valve
- High switching power
- Short switching time
- With internal or external pilot oil supply
- Easy service: Solenoid can be changed without leakage while the valve is under system pressure; no tools are required
- Only one connector, even with 4/3 way valves

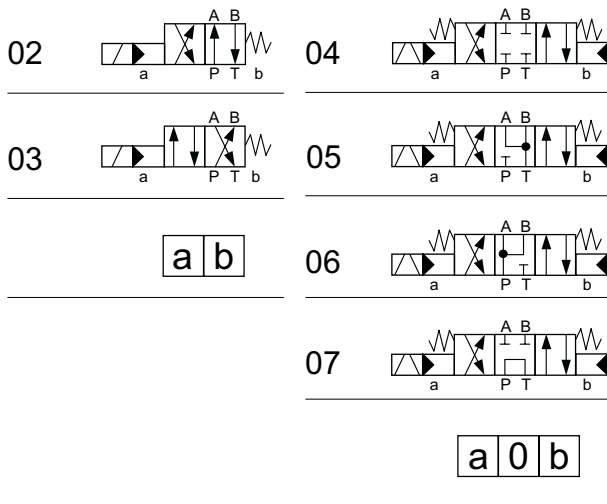
Specifications according to VDI 3267

General

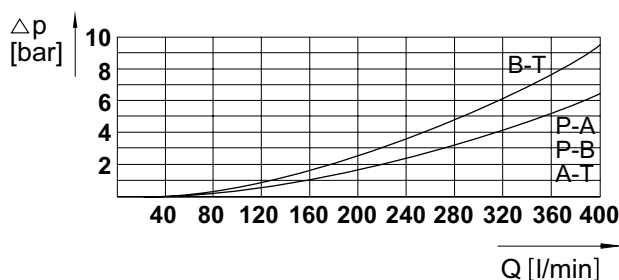
Flow path	see diagramms
Type of valve	piston valve
Mounting method	4x M12x60 DIN912
Connection of port	mounting plate
Mounting positions	mountable in any position
Ambient temperature	°C -5 to +50
Mass valve	kg 10,5
Mass mounting plate	kg 2

Hydraulic

Operating pressure range		
Ports P, A, B	bar	280
Port T	bar	
Pilot oil drain intern	bar	150
Pilot oil drain extern	bar	280
Pilot oil range	bar	15 to 120
Pilot flow range	ccm ³	2x18,3 (4/3) / 9,6 (4/2)
Hydraulic oil temperature	°C	-10 to +70
Viscosity range	mm ² /s	10 to 300
Maximal rate of flow	l/min	450
Operation		hydraulically operated electrically controlled 24V DC 230V, 50Hz AC
Switching time on	ms	50 50
Switching time off	ms	600 40
Power consumption P20	W	28
Making capacity P20	VA	35
Duty factor	%	100 100
Protection system DIN 40050		IP65 IP65



Characteristic curve
for hydraulic oil 35 mm²/s, 50°C



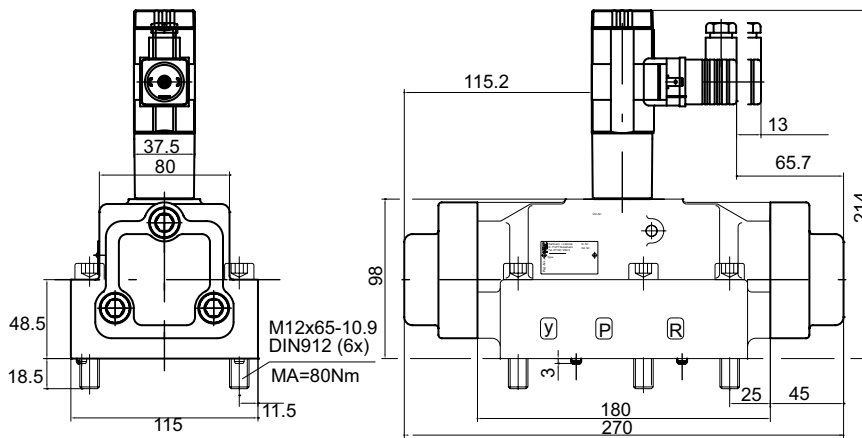
Options:

- Adjustable switching delay
- Stroke limitation
(replace one-way restrictor)
- Electric monitoring of the spool position
- Alternative configurations
- Alternative voltages

The specifications given herein are subject to alteration

Way Valve NG 25 ISO 4401

piloted, pilot NG4 ISO 4401



Fastening screws
order number:
4 x Id.-Nr. 800-239

Plug not included,
order number:
Id.-Nr. 806-002

electrical connector
seal
order number:
Id.-Nr. 80162-004

Type Code

Id.-Nr. (specified by the factory)
Directional control valve
Electrically controlled
Configuration number
Nominal size
Mounting
Design code
Nominal size pilot
Mounting pilot
L= horizontal
R= vertical
Pilot oil supply extern
Pilot oil drain extern
Adjustable switching time
Stroke limitation
Solenoid type
R= single solenoid
Z= double solenoid

W e 0 4 - 2 5 H 1 0 0 - 6 P X Y T 2 B 1 Z 0 2 4 / 0 H N

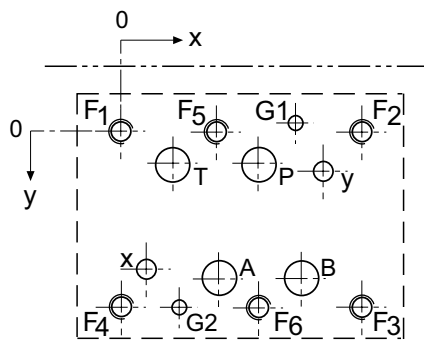
Manual emergency operation
N= single acting
D= double acting

Electric interface
H= connector DIN 43650
M= connector M12
Power supply / Voltage
024/0= 24V DC
220/5= 230V/50Hz

Port connection pattern

NG 25 ISO 4401

The figure shows the side of the mounting plate to which the valve is fastened

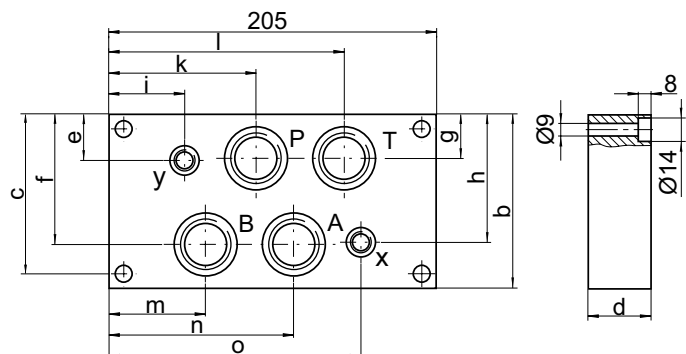


Single-unit mounting plate

Order number:

PW25-G6-400 R= 1"

PW25-G7-400 R=1¼"



	a	b	c	d	e	f	g	h	i	k	l	m	n	o
G6	11,5	115	95	40	30,5	86	29	84,5	45	90	145	59	114	159
G7	29	150	130	60	48	108	42	102	37	85	150	55	120	168

	P	A	T	B	X	Y	G1	G2	F1	F2	F3	F4	F5	F6
Ømax	25	25	25	25	11,2	11,2	7,5	7,5	M12	M12	M12	M12	M12	M12
x	77	53,2	29,4	100,8	17,5	112,7	94,5	29,4	0	130,2	130,2	0	53,2	77
y	17,5	74,6	17,5	74,6	73	19	-4,8	92,1	0	0	92,1	92,1	0	92,1

Multiple-unit mounting plates
can be supplied on request

The specifications given herein are subject to alteration