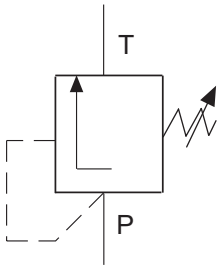
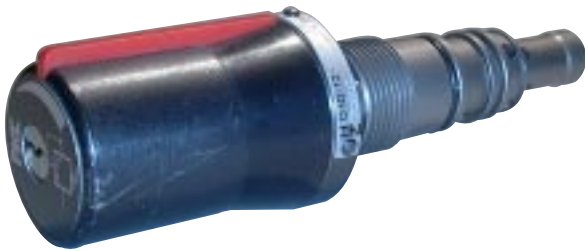


Pressure-Relief Valve BG 12 cartridge, directly controlled

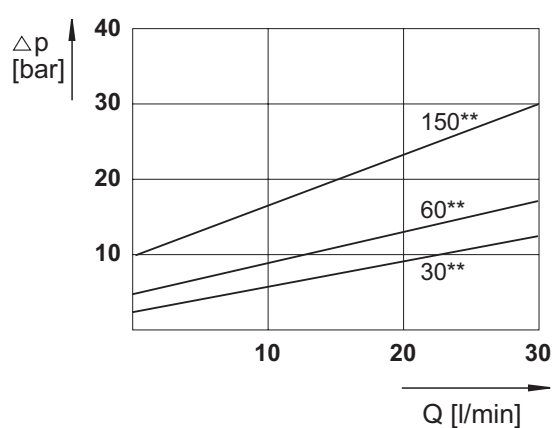
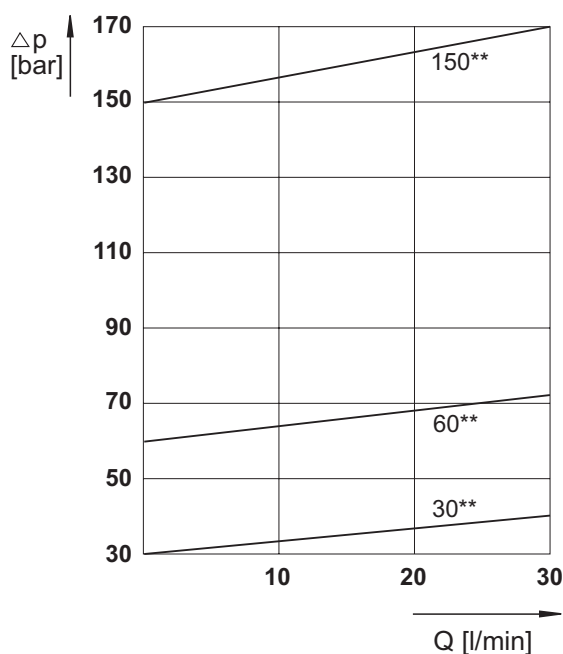


- Damped piston valve
- Small hysteresis
- Several pressure steps
- Different adjustment method

Specifications according to VDI 3276

General	
Flow path	see diagrams
Type of valve	piston valve
Mounting method	M24x1,5
Connection of port	location hole
Mounting position	mountable in any position
Ambient temperature	°C -5 to +50
Mass valve	kg 0,4
Mass mounting plate	kg
Hydraulic	
Operating pressure	
Ports A, B	bar 3-30, 5-60, 10-150 or 20-250
Hydraulic oil temperature	°C -5 to +70
Viscosity range	mm ² /s 10-300
Operating flow range	l/min see characteristic curve

Characteristic curve for hydraulic oil 35 mm²/s, 50°C



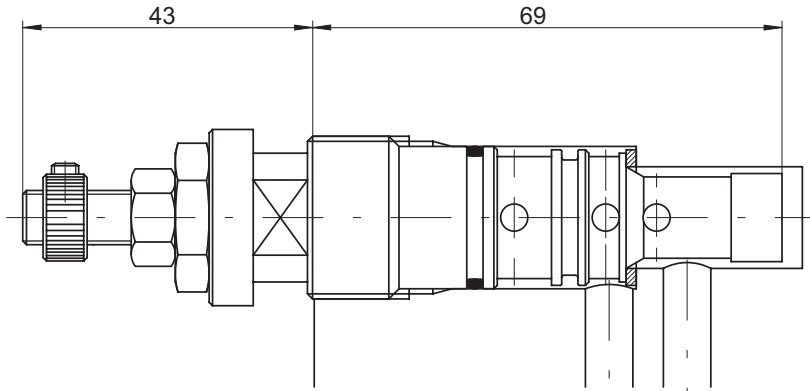
* = Min. adjustable pressure
** = Max. adjustable pressure

Options:

- Pressure-gauge isolator valve

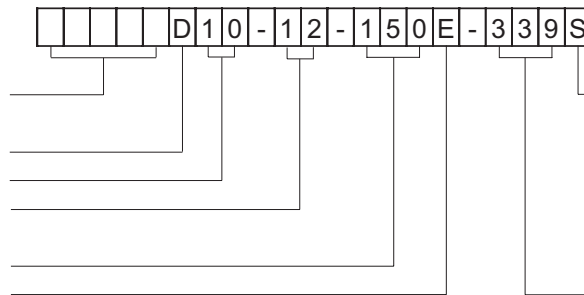
Specifications given herein are subject to alteration

Pressure-Relief Valve BG 12 cartridge, directly controlled



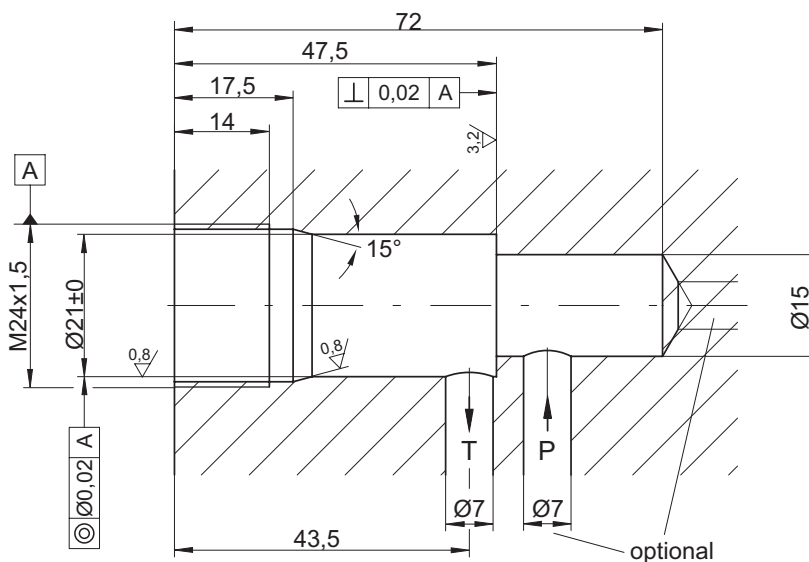
Type code

Id.-Nr.(specified by the factory)
 Pressure valve
 Configuration number
 Nominal size
 max. adjustable pressure
 30, 60, 150 and 250 bar
 Mounting



Adjustment method
 S= setting screw
 G= star knob
 K= cover
 P= cover with lead seal
 D= rotary knob
 V= rotary knob and lock
 Design code

Location hole for pressure-relief valve BG 12



Specifications given herein are subject to alteration